

CABLE 240 RF: RF CABLE ASSEMBLY, I-PEX MHF + FRONT MOUNT RP SMA S/T BULKHEAD JACK WITH O-RING + 0.81MM CABLE

SPECIFICATIONS :

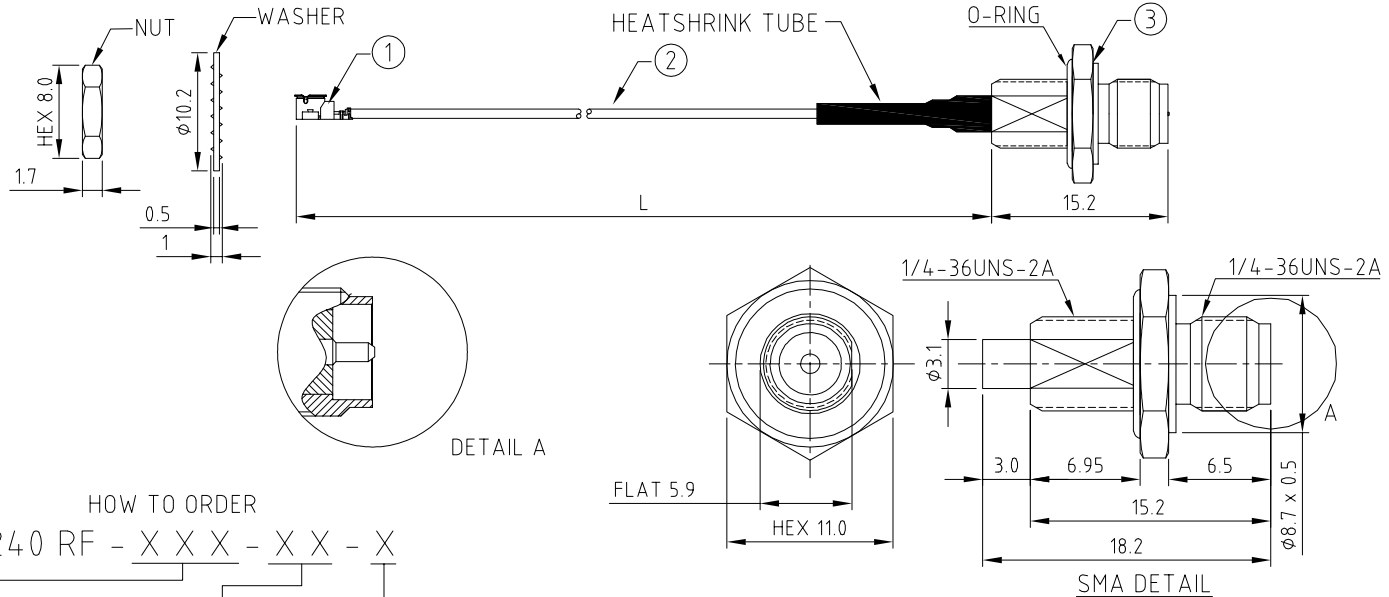
1. I-PEX MHF PLUG, P/N: 20278-112R-08.
2. ϕ 0.81MM COAXIAL CABLE, COLOR: GRAY.
3. FRONT MOUNT RP SMA STRAIGHT BULKHEAD JACK WITH O-RING, P/N: RFCT-SMA019-F08.

NOTES:

1. THE ORIENTATION OF CONNECTORS ON DRAWING IS FOR REFERENCE ONLY, IF THE ORDER IS LEFT BLANK THE CONNECTOR WILL NOT HAVE FIXED ORIENTATION.
2. FIXED ORIENTATION IS SUGGESTED FOR CABLE LENGTH 25MM TO 100MM. PLEASE SPECIFY THE FIXED ORIENTATIONS FROM THE ORDER CODE (F1, F2, ETC)
3. CONTACT GRADCONN IF THE ORIENTATION YOU REQUIRE IS NOT SHOWN.
4. WORKING FREQUENCY RANGE: DC-3GHz.
5. IT IS INTENDED THAT MOUNTING OF THIS CONNECTOR IS ACHIEVED USING THE NUT AND WASHER PROVIDED. PLEASE CONTACT GRADCONN FOR ADVISE IF PLANNING TO USE A DIFFERENT METHOD OF MOUNTING.
6. OPERATING TEMPERATURE: -40°C TO +85°C
7. IMPEDANCE: 50 OHM.

USAGE PRECAUTIONS: CABLES USING 'MICRO' COAX ARE DELICATE:

- (i) HANDLE WITH CARE.
- (ii) DO NOT TWIST; APPLY EXCESSIVE FORCES OR SHARP BENDS TO THE CABLE. DO NOT FORCEFULLY DEFORM WIRES.
- (iii) CONSULT CONNECTOR MANUFACTURER'S DATASHEETS FOR DETAILED NOTES ON HANDLING INSTRUCTIONS.



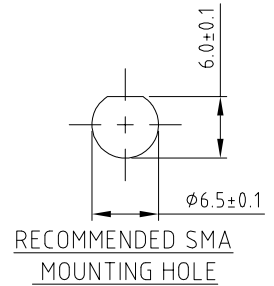
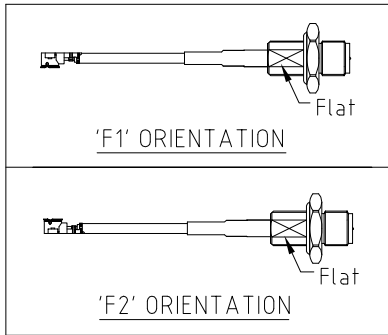
HOW TO ORDER

CABLE 240 RF - XXX - XX - X

"L" LENGTH IN MM:
 eg: 100MM = 100
 (MIN. 025-MAX.400)
 STANDARD = 100, 150, 200
 Tolerance:25-50mm: ±2mm.
 51-200mm: ±5mm.
 201-400mm: ±7mm.

WASHER AND NUT OPTIONS:
 BLANK = SEPARATELY PACKED (STANDARD)
 A = ALL ASSEMBLED WITH CONNECTOR

ORIENTATION OPTIONS:
 BLANK = DOES NOT HAVE A FIXED ORIENTATION
 F1 = MHF CONNECTION DOWN (L=25-200MM)
 F2 = MHF CONNECTION UP (L=25-200MM)
 (SEE NOTES 1, 2, 3 AND DIAGRAMS FOR MORE INFORMATION)



REV. DATE & DRN
 10 29/07/16 - RJH RELEASE
 11 18/08/20 - NYW
 ADD NOTE 5.
 12 26/04/21 - NYW
 ADD NOTE 6 & 7.

Scale: NTS	THIRD ANGLE	Unstated: .X, .XX, .XXX ANGLES	Tolerances: N/A, N/A, N/A	Material: SEE NOTE
Drawn: RJH		Title: CABLE ASSEMBLY		NOT TO SCALE
App'd: XXX	Revision: 1.2	Date: 26 APR. '21		Unit: mm

www.gradconn.com

THIS DRAWING IS CONFIDENTIAL AND MUST NOT BE COPIED OR DISCLOSED WITHOUT WRITTEN CONSENT

Type: Cable 240 RF
CABLE 240 RF
Drawing Number:
Sheet 1 of 1
Drawing © E and O E